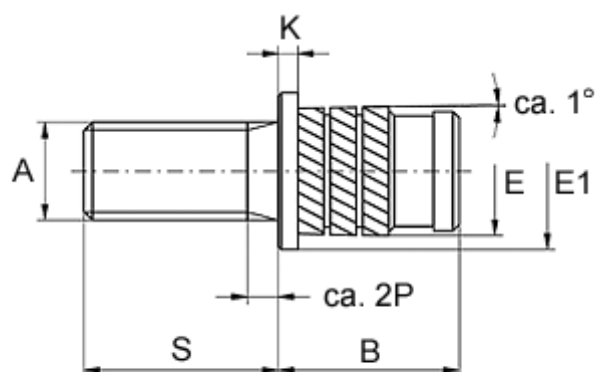


Data Sheet



Article number: 12857000035840
Description: KLEE-coil 857 000 035.840
M3,5 Brass

Measures



Gevindlængde = $S - 2P$
P = stigning

| | |
|---------------------------|------------|
| Flange diameter E1 | = 6.4 |
| Flange height | = 0.8 |
| Male thread A | = M3,5x0,6 |
| Min distance to edge | = 2.5 |
| Mounting length B | = 6.3 |
| Outer diameter E | = 5.00 |
| Pin length S | = 10 |
| Recommended bore diameter | = 4.6 |